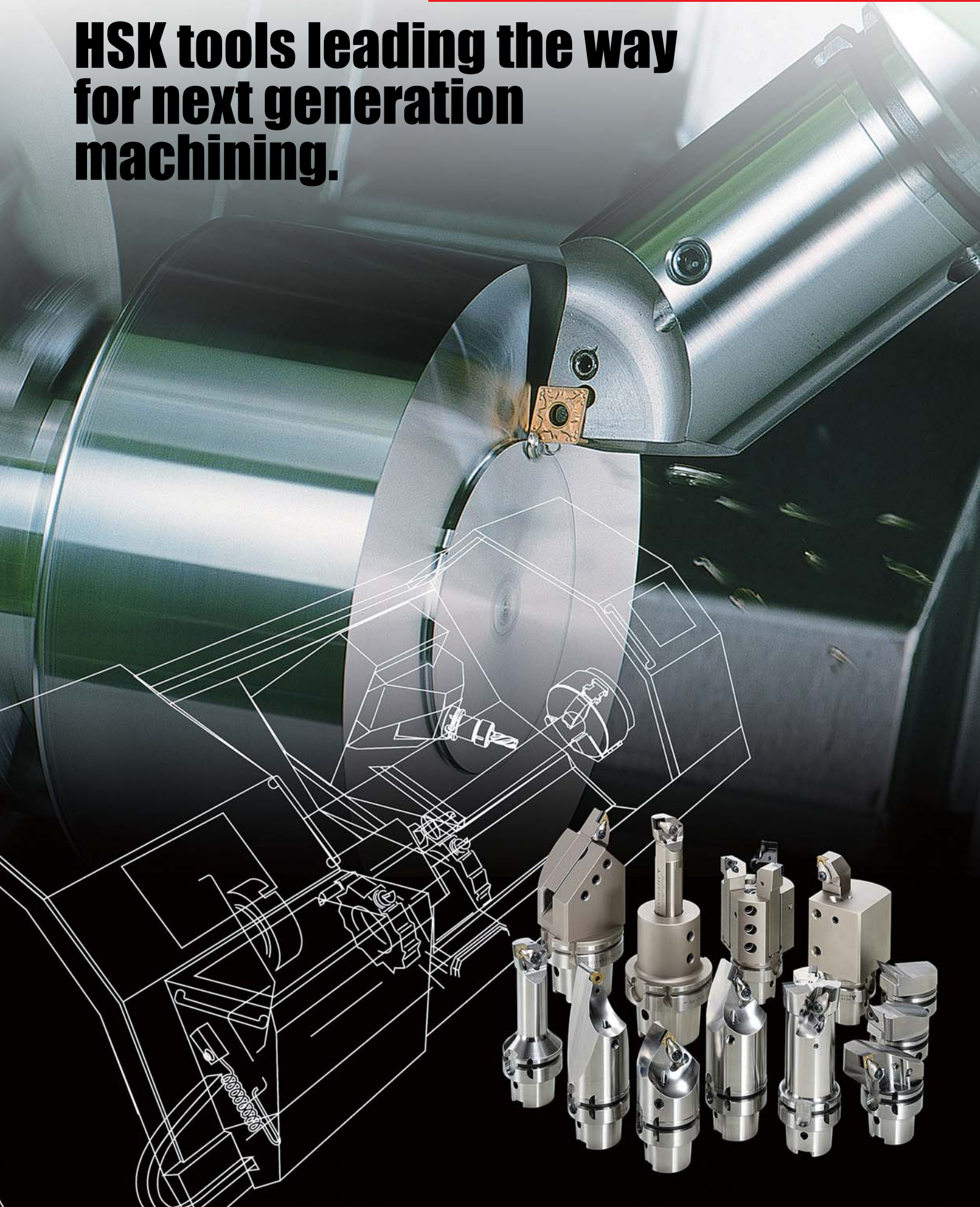



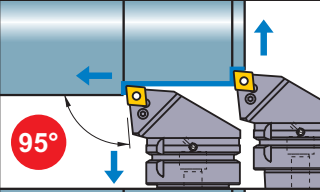

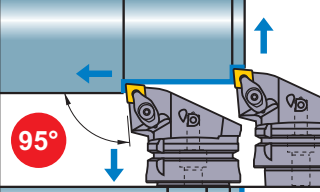

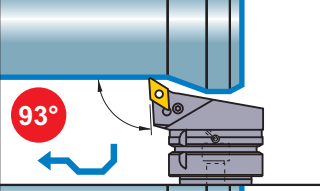

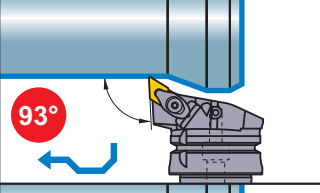

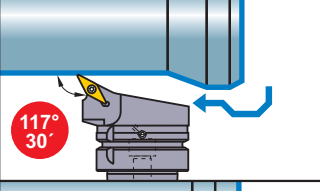

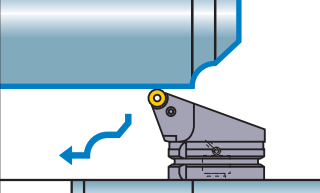

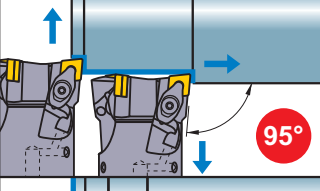

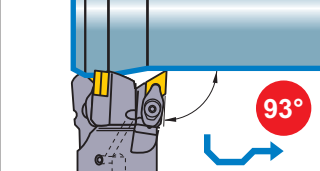
# HSK tools leading the way for next generation machining.


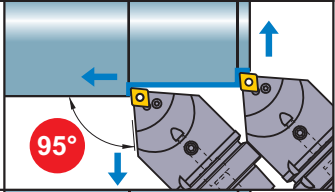

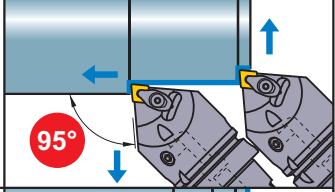

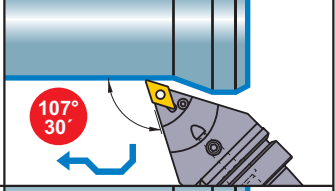

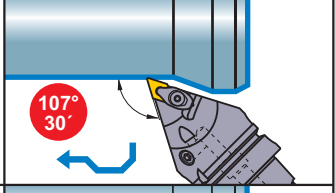

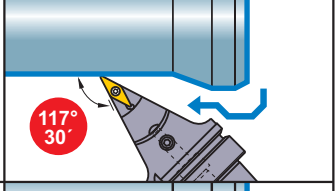

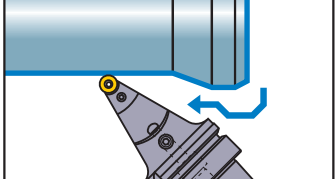



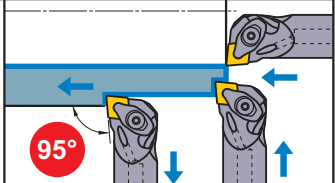
# HSK TOOLS

## FOR MULTI-TASK

New HSK system developed for leading turn-mill machines.  
Highly accurate and rigid toolholders using the new HSK-T(ICTM) standard.


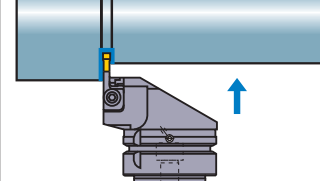

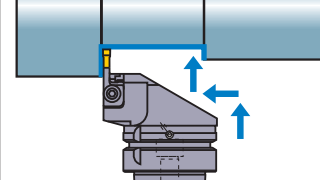

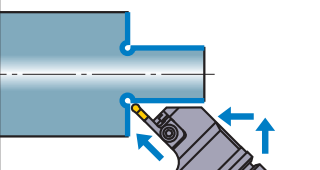

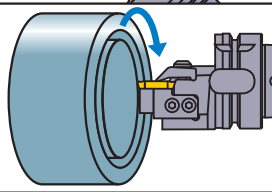

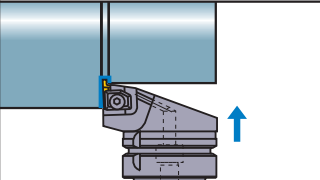
EXTERNAL TURNING • FACING	
Order Number	Geometry
H63TH-PCLNR/L-DX12 	 95°
H63TH-DCLNR/L-DX12 <b>NEW</b> 	 95°
H63TH-PDJNR/L-DX15 	 93°
H63TH-DDJNR/L-DX15 <b>NEW</b> 	 93°
H63TH-SVPBR/L-DX16 	 117° 30'
H63TH-PRGCR/L-DX12 	
H63TH-DCLNL-L12-3 <b>NEW</b> 	 95°
H63TH-DDJNL-L15-3 <b>NEW</b> 	 93°

Order Number	Geometry
H63TH-PCMNN-H/L12 	 95°
H63TH-DCMNN-H/L12 <b>NEW</b> 	 95°
H63TH-PDNNN-H/L15 	 107° 30'
H63TH-DDNNN-H/L15 <b>NEW</b> 	 107° 30'
H63TH-SVVBH-H/L16 	 117° 30'
H63TH-PRDCN-H/L12 	

EXTERNAL TURNING • FACING • BORING	
Order Number	Geometry
H63TH-A25KDCLNR/L12 H63TH-A32LDCLNR/L12 <b>NEW</b> 	 95°

(Note) Refer to general catalogue C003E for tool holder details.


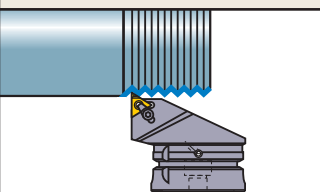

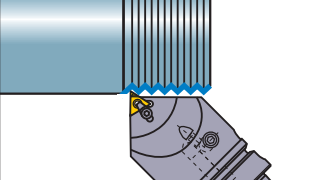

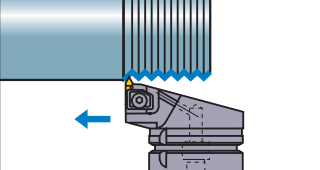
## GROOVING

Order Number	Geometry
H63TH-C○○○○R/L 	
H63TH-C○○○○R/L H63TH-D○○○○R/L 	
H63TH-G○○○○NH/L 	
H63TH-M○○○○R/L H63TH-P○○○○R/L H63TH-N○○○○R/L H63TH-Q○○○○R/L 	
H63TH-MGHR/L-DX4315 H63TH-MGHR/L-DX4333 H63TH-MGHR/L-DX4323 	




## EXTERNAL TURNING TOOL HOLDERS

Order Number	Holder
H63TH-EV2525R/L-112	
H100TH-EV3232R/L-180 <b>NEW</b>	
H63TH-EN2525R/L-115 <b>NEW</b>	
H100TH-EN3232R/L-130 <b>NEW</b>	
H63TH-EV2020R/L-105-3	

## THREADING

Order Number	Geometry
H63TH-MMTER-DX16 	
H63TH-MMTENR-H/L16 	
H63TH-MTHR/L-DX43 	

## BORING BAR HOLDERS

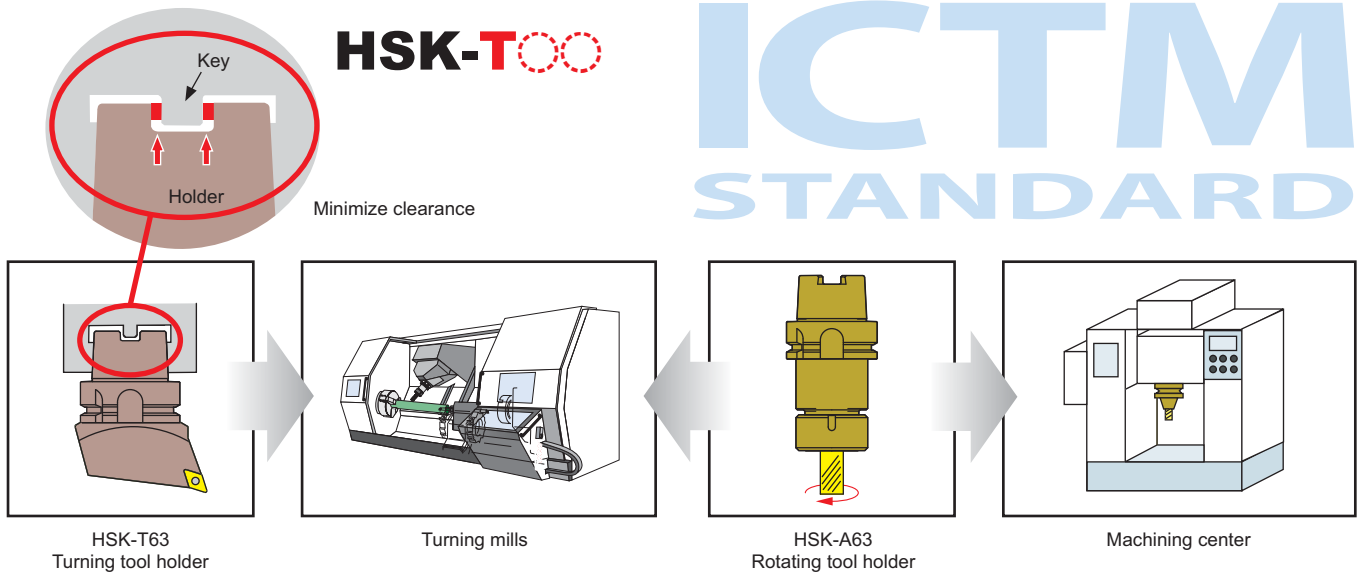
Order Number	Holder
H63TH-B○○-○○	
H100TH-B○○-○○○ <b>NEW</b>	
SL32○○-90 (Sleeve) <b>NEW</b>	

# HSK-T(ICTM) standard

## What is HSK-T and the ICTM standard.

ICTM is an open standard jointly developed by a consortium of leading Japanese manufacturers based on the ISO 12164-1:2001 HSK standard shank.

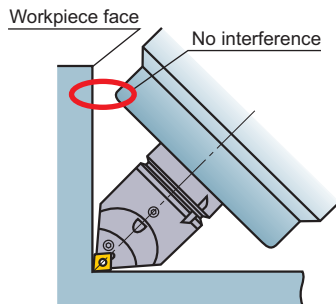
It is a highly accurate and rigid face contact type aiming at improving tool accuracy by utilising a high tolerance key fit. Additionally, ICTM standard tools are compatible with the widely used HSK-A type. The ICTM standard is now acknowledged as HSK-T.



HSK-A type rotating tool holders can be used on both machining centres and turn-mills.

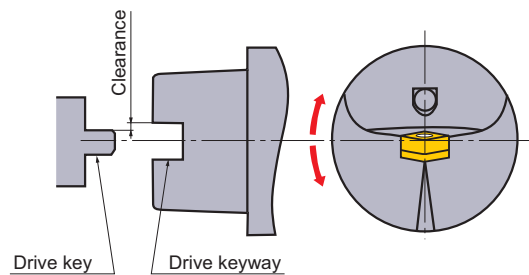
## Standardize straight type tools

Avoid workpiece interference with improved tool accessibility.



By tilting the machines B spindle (main axis of the tool) at 45 deg. interference between the spindle, holder, workpiece and chuck can be avoided.

Improve centreline height by positioning the cutting edge at the centre of the spindle.



Increased stability and accuracy can be achieved because the cutting edge centreline height is not affected by the gap between the spindle and the key.

**MITSUBISHI**  
MITSUBISHI MATERIALS

[www.mitsubishicarbide.com](http://www.mitsubishicarbide.com)

### MMC HARTMETALL GmbH

Comeniusstr. 2, 40670 Meerbusch, Germany  
Tel. +49-2159-91890 Fax +49-2159-918966  
e-mail [marketing@mmchg.de](mailto:marketing@mmchg.de)

### MITSUBISHI MATERIALS ESPAÑA, S.A.

C/Emperador 2, 46136 Museros, Valencia, Spain  
Tel. +34-96-144-1711 Fax +34-96-144-3786  
e-mail [mme@mmevalencia.com](mailto:mme@mmevalencia.com)

### MITSUBISHI HARDMETAL RUSSIA OOO LTD.

ul. Bolschaja Pochtovaja, d.36, str.1 105082 Moscow, Russia  
Tel. +007-095-72558-85 Fax +007-095-72558-85  
e-mail [mmc-moscow@lescom.ru](mailto:mmc-moscow@lescom.ru)

### MMC HARDMETAL U.K. LTD.

Mitsubishi House, Galena Close, Tamworth, B77 4AS, U.K.  
Tel. +44-1827-312312 Fax +44-1827-312314  
e-mail [sales@mitsubishicarbide.co.uk](mailto:sales@mitsubishicarbide.co.uk)

### MMC ITALIA S.r.l.

V.le delle Industrie 20/5, 20020 Arese (Mi)  
Tel. +39-02 93 77 03 1 Fax +39-02 93 58 90 93  
e-mail [info@mmc-italia.it](mailto:info@mmc-italia.it)

### MMC METAL FRANCE S.A.R.L.

6, rue Jacques Monod, 91893 Orsay Cedex, France  
Tel. +33-1-69 35 53 53 Fax +33-1-69 35 53 50  
e-mail [mmfsales@mmc-metal-france.fr](mailto:mmfsales@mmc-metal-france.fr)

### MMC HARDMETAL POLAND Sp. z o.o.

Armii Karjowej 61, Wrocław, Poland  
Tel. +48-71-3351-620 Fax +48-71-3351-620  
e-mail [mmc@mhpl.pl](mailto:mmc@mhpl.pl)